

/ LaserGas™ T-Flange solution



All Rights Reserved. Copyright © August 2022, NEO Monitors AS

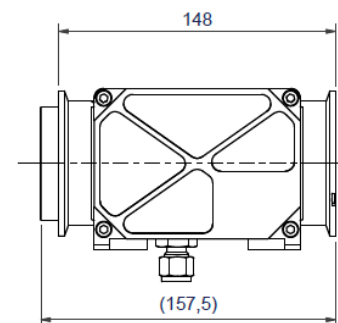
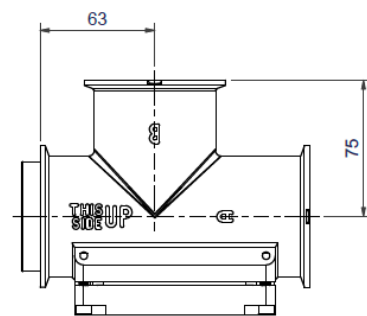
General

The T-flange enables the combination of two LaserGas™ III units on a single measurement port.

The solution consists of two T-shaped flanges, each with a beam splitter, which combines and splits the laser beams of two Laser-Gas III instruments.

The solution enables more gas components to be measured with limited effort and reduced installation costs.

The T-flange is made of Stainless steel (AISI 316L), while the inner optomechanics is made in anodized aluminium.



Customer benefits

- Lower installation cost
- Less space required
- High flexibility
- Hot-swap of a single analyzer possible
- Easily extendable to other applications

Gas combinations *

Channel A	Channel B
CO ppm	O2

* Other gas combinations on request

PERFORMANCE YOU CAN TRUST

www.neomonitors.com

neoMONITORS

© NEOM 0822